

# SJTK-manifold

## SITEK - SUPPLY MANIFOLD

Compressed air supply manifold for pneumatic devices.

Manifold body is equipped with threads and it carries nickel plated brass ball valves. Valves have Teflon sealing.

Manifold is available in different number of outputs and output size can be 1/4", 3/8" or high capacity 1/2".

Manifold may also have laser marked position marks.



### TECHNICAL DATA

Suitable fluids	Dry or lubricated air or gas
Input	1/2" R/G tai NPT
Outputs	1/4", 3/8", 1/2", R/G tai NPT
Number of outputs	2, 3, 4, 5, 6, 7, 8, 9, 10, 11, 12, 15, 16, 17, 18
Temperature range	- 20 ... + 90 ° C
Operating pressure	Vacuum ... 16 bar
Material	Anodised aluminium and nickel plated brass

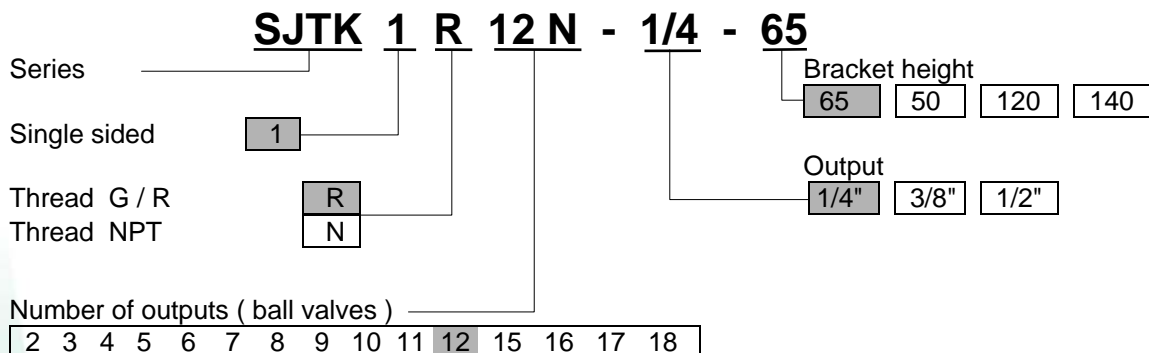
Standard construction: Outputs ( ball valves ), brackets, double nibble and end cap. End thread is always 1/2".

Manifold with NPT-thread: the character R on types shall be replaced with N, bracket height is 50, 65, 120 or 140 mm.

Manifold with 15 and 16 outputs: spacing is 26,5 mm, all others spacing is 33 mm.

1/2" manifold spacing is 33 mm.

### TYPECODE



Example: Manifold **SJTK**, 1-sided, **R**-thread, **12** outputs/manual shut-off **N**, **1/4"** output, bracket height **65** mm



Sitek-Service Ltd.

Laukaantie 4

Hatanpäänvaltatie 34 A

E-mail: [sitek@sitek.fi](mailto:sitek@sitek.fi)

40320 Jyväskylä Finland

33100 Tampere Finland

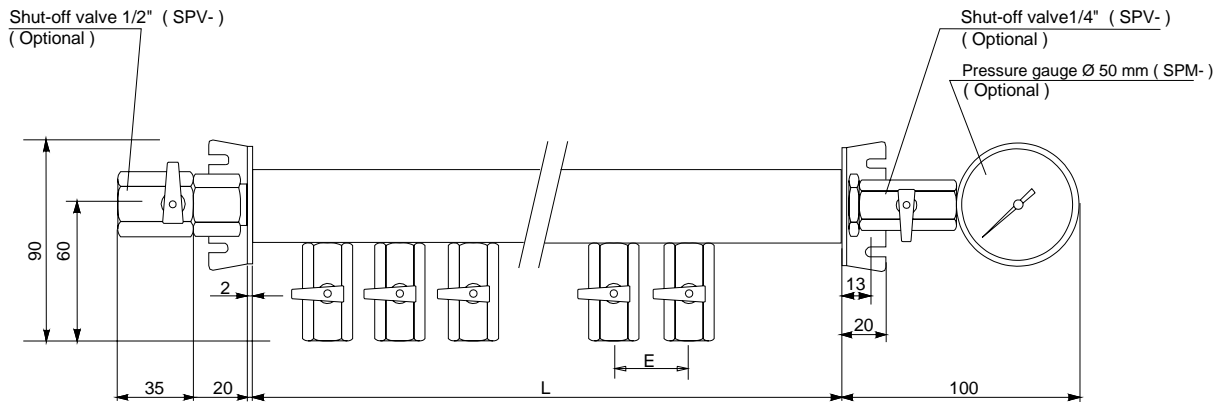
[www.sitek.fi](http://www.sitek.fi)

Tel. +358 14 337 2300

Tel. +358 3 265 4069

# Dimensions

## Manifold 1/4", 3/8" (single sided)

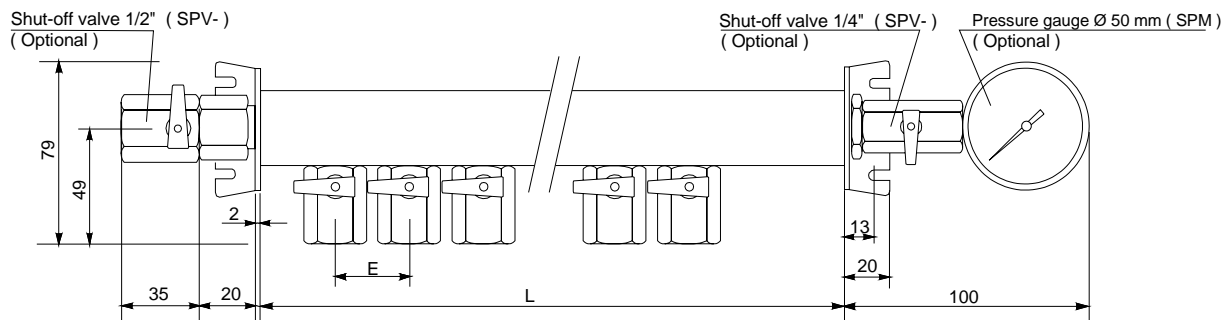


### DIMENSIONS

Outputs / pcs (single sided)	2	3	4	5	6	7	8	9	10	11	12	15	16	17	18
Length L /mm	87	120	153	186	219	252	285	318	351	384	417	417	444	582	615
Spacing E /mm	33											26,5	33		

Other dimensions are possible on request

## Manifold 1/2" (single sided)



### DIMENSIONS

Outputs / pcs (single sided)	4	6	8	10	12
Length L /mm	169	235	301	367	433
Spacing E /mm	33				

Other dimensions are possible on request

## Brackets

